



UPVC WINDOW DOOR SYSTEM

PRODUCT  
CATALOG  
2024

江 阴 市 惠 适 达 塑 业 有 限 公 司  
JIANGYIN WINSTAR PLASTIC CO., LTD



## ABOUT WINSTAR

**Jiangyin Winstar Plastic Co.,Ltd located at Jiangyin City, Jiangsu Province,China. We are in the center of Yangtze Rive Delta, which is the China largeste conomic zone and gethered 25% GDP in only 4% area of China, is the most developed area in China. We are 150 km to Shanghai Sea Port and 180 km to Shanghai airport. Under the advantage of full supply chain of Yangtze River Delta, we can offer fast delivery with competitive price, one stop buying service and fast response service.**

**Winstar is a China based brand since the year 2012. We has passed the ISO9001 Quality Management System Certification and ISO14001 International Environmental Management System Certification in 2008. As one famous brand in Jiangsu province we have strongly influence in local market and export about 120,000 Tons plastic extrusion products to more than 30 Countries such as India, Thailand, East Europe and Latin America Countries etc.**

**We have more than 50 plastic extrusion lines and one window factory. Our product include UPVC window door profiles, customzied plastic extrusions , home decoration materials and ready made window doors.**

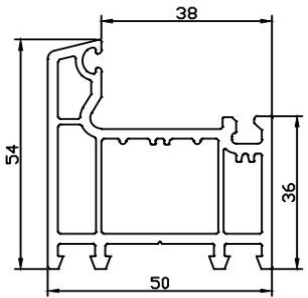
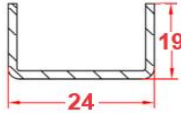
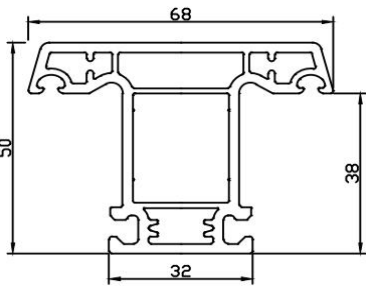
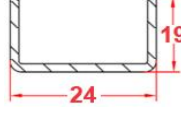
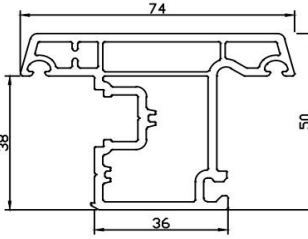
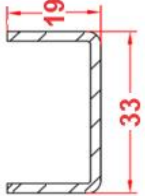
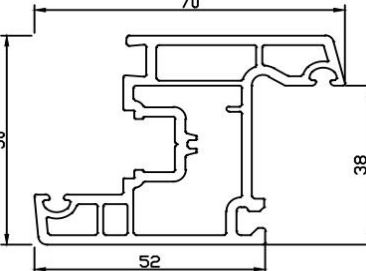
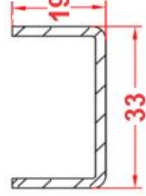
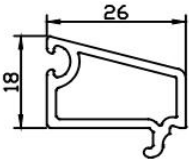
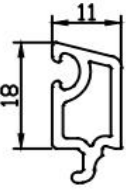
**For UPVC window door profiles ,we have more than 300 sections and cover most product series like 60/65/70mm casement series and 60/70/80/88/92/95/108/112 sliding series. We can offer customized color UPVC profiles which included Pure white, Ivory White, Double color co-extrusion, Wood grain fim laminated and solid color by RAL code.**

**For ready made window doors ,we have advanced window door fabricate equipments and expreienced technicians. Can produce any type and solution window doors. Such as arch, bow, round,un-regular shape window doos. Except our Winstar window system, we can use other profiles system produce window doors. Such as Veka, Rehau, Conch, Dimex profiles etc.**

**Customzied design Industrial plastic extrusions is our mainly products also. We can produce according drawing, samples, and even photos you offered.**

**We will continue to utilize scientific anagement,full development,rational utilization of resources and continuously improve satisfaction of urcustomers demand as the main goal of improving peoples'working and living environment.**

# WINSTAR 50MM UPVC CASEMENT SERIES

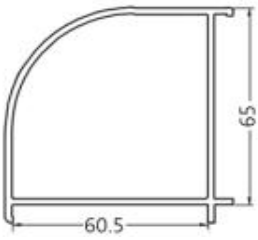
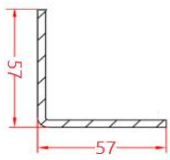
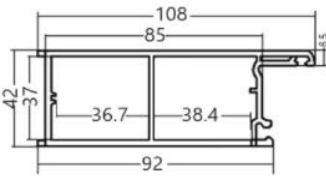
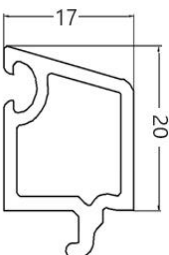
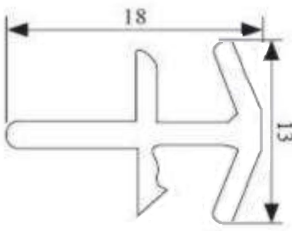
DRAWINGS	STEEL SIZES	CODE	THICKNESS (MM)	KGS/M	DRAWINGS	STEEL SIZES	CODE	THICKNESS (MM)	KGS/M
		C50K	2.00	0.86			C50ZT	2.00	0.95
		C50WS	2.00	1.01			C50NS	2.00	0.98
		C50SY		0.22			C50DY		0.15

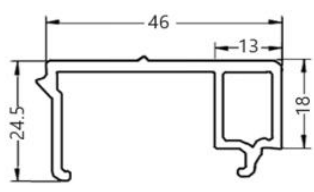
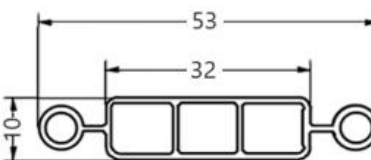
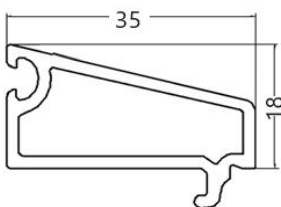
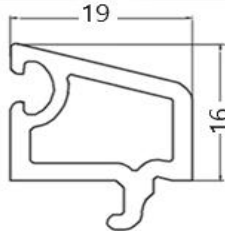
# WINSTAR 60MM UPVC CASEMENT SERIES

DRAWINGS	STEEL SIZES	CODE	THICKNESS (MM)	KGS/M
		<b>C60K</b> 60mm casement frame	2.8	1.13
			2.5	1.07
			1.8	0.9
		<b>C60KE</b> 60mm casement with curtain edge	2.5	1.45
			2.2	1.37
		<b>60LK</b> Louver frame	2.2	0.82

DRAWINGS	STEEL SIZES	CODE	THICKNESS (MM)	KGS/M
		<b>C60ZT</b> 60mm casement T mullion	2.8	1.23
			2.5	1.12
			1.8	1.0
		<b>C60FT</b> 60mm false mullion	2.5	1.08
		False mullion caps  <b>ABS Material</b>		<b>By PCS</b>

		<p><b>C60ZXT</b> 60mm Z shape Mullion</p>	<p>2.5</p>	<p>1.12</p>			<p><b>C60NS</b> 60mm Inward open sash</p>	<p>2.5</p>	<p>1.13</p>
		<p><b>C60WS</b> 60mm Outward open sash</p>	<p>2.5</p>	<p>1.23</p>			<p><b>C60WMS</b> 60mm Outward open door sash</p>	<p>2.8</p>	<p>1.77</p>
		<p><b>C60NMS</b> 60mm Inward open door sash</p>	<p>2.8</p>	<p>1.67</p>			<p><b>60YZG</b> ( Any way Corner)</p>		<p>0.65</p>
		<p><b>60MB</b> 150mm Door Panel</p>		<p>0.83</p>			<p><b>60YG</b> Corner Round Pipe</p>		<p>0.6</p>
		<p><b>60PG</b> 60mm Frame Joint Pipe</p>		<p>0.63</p>			<p><b>60PT</b> 60mm Frame Joints</p>		<p>0.24</p>

		<p><b>60ZJ</b> 60mm Round corner</p>		<p><b>0.67</b></p>
		<p><b>C60MS</b> Flat casement door sash</p>		<p><b>1.20</b></p>
		<p><b>GB17</b> Double Glazing Bead (24mm glass)</p>		<p><b>0.20</b></p>
		<p><b>60DP</b> Frame Joint one way</p>		<p><b>0.10</b></p>

		<p><b>60BYYT</b> 60mm shutter bead</p>		<p><b>0.33</b></p>
		<p><b>60BYP</b> 60mm Shutter board</p>		<p><b>0.23</b></p>
		<p><b>GB35</b> Single Glazing Bead (4-6mm glass)</p>		<p><b>0.27</b></p>
		<p><b>GB19</b> Double Glazing Bead (18-20mm glass)</p>		<p><b>0.19</b></p>

# WINSTAR 65MM UPVC CASEMENT SERIES

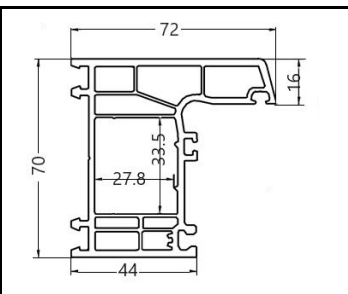
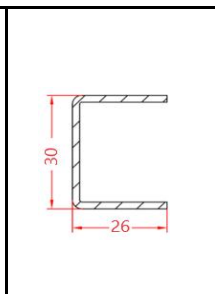
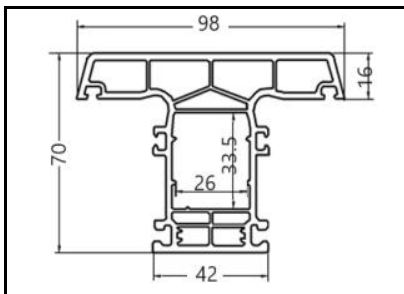
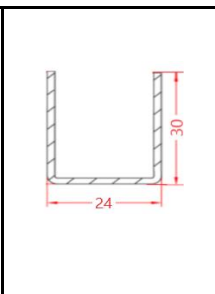
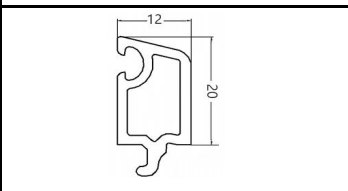
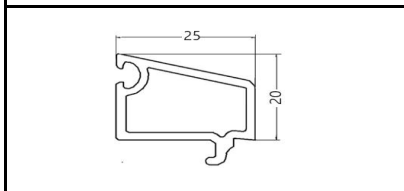
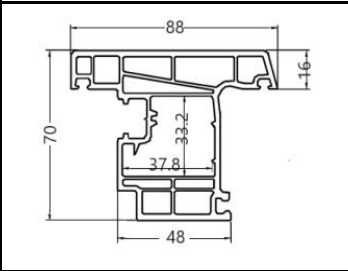
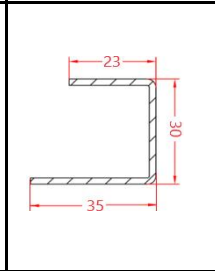
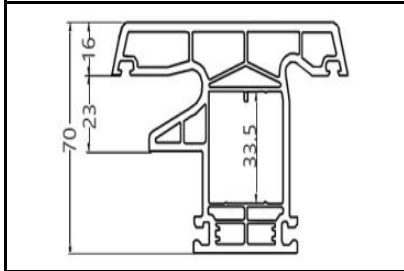
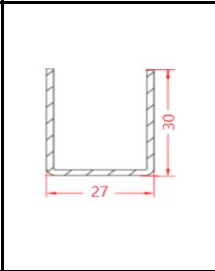
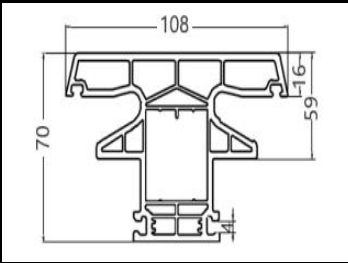
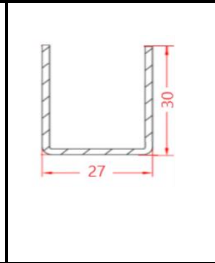
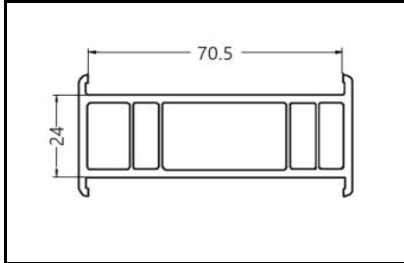
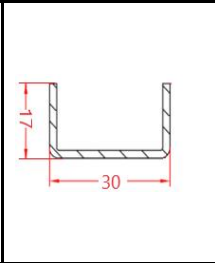
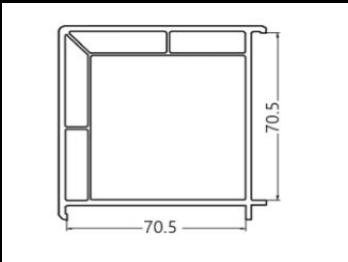
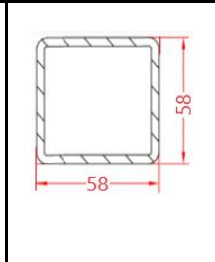
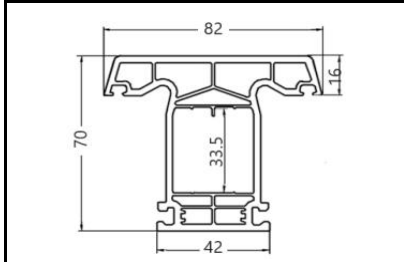
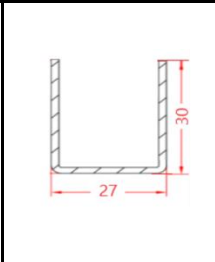
DRAWINGS	STEEL SIZES	CODE	THICKNESS (MM)	KGS/M	DRAWINGS	STEEL SIZES	CODE	THICKNESS (MM)	KGS/M
		<b>C65K1</b> 4 Chamber frame	2.5	1.13			<b>C65K2</b> 5 Chamber frame	2.5	1.20
		<b>C65ZT1</b> 4 chamber T mullion	2.5	1.30			<b>C65ZT2</b> 5 Chamber T mullion	2.5	1.33
		<b>C65NS1</b> 4 Chamber inward sash	2.5	1.20			<b>C65WS</b> 5 chamber outward sash	2.5	1.37
		<b>C65NS2</b> 5 Chamber inward sash	2.5	1.67			<b>C65PG</b> Joint Pipe		0.70

		<b>C65ZJ</b> Corner		<b>0.83</b>			<b>GB19</b> Glass bead for 27mm glass		<b>0.19</b>
		<b>GB22</b> Glass bead for 24mm glass		<b>0.22</b>					

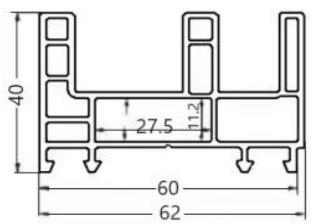
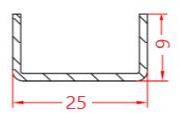
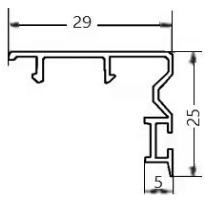
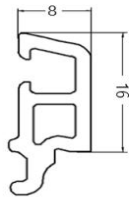
## WINSTAR 70MM UPVC CASEMENT SERIES

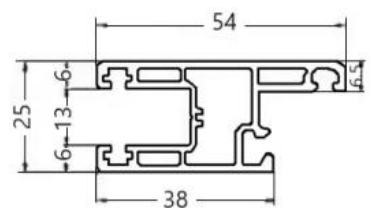
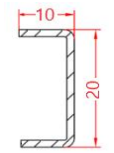
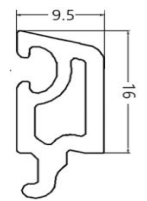
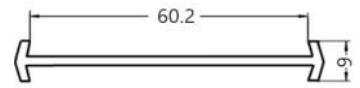
DRAWINGS	STEEL SIZES	CODE	THICKNESS (MM)	KGS/M	DRAWINGS	STEEL SIZES	CODE	THICKNESS (MM)	KGS/M
		<b>C70K1</b> Window frame 1	<b>2.8</b>	<b>1.75</b>			<b>C70NS1</b> Inward open sash 1	<b>2.8</b>	<b>1.62</b>
		<b>C70K2</b> Fixed window frame	<b>2.8</b>	<b>1.4</b>			<b>C70NS2</b> Inward open sash 2	<b>2.2</b>	<b>1.42</b>



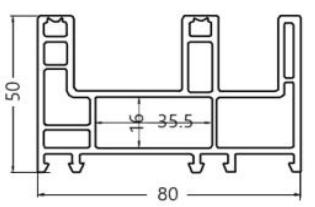
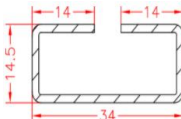
		<b>C70K3</b> Fixed window frame	2.8	1.3			<b>C70ZT3</b> T Mullion	2.5	1.53
		<b>GB12</b> 35-36mm triple glass bead	0.17				<b>GB25</b> 23-24mm double glass bead		0.23
		<b>C70WS</b> Outward Sash	2.2	1.6			<b>C70ZT2</b> T Mullion	2.8	1.83
		<b>C70ZT1</b> T Mullion	2.8	2.08			<b>C70PG</b> Frame joint pipe	2.5	0.92
		<b>C70ZJ</b> Square corner	2.5	1.45			<b>C70ZT4</b> T Mullion	2.80	1.58

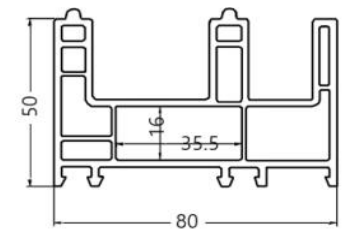
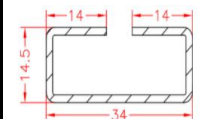
## WINSTAR 60MM LIGHT UPVC SLIDING SERIES

DRAWINGS	STEEL SIZES	CODE	THICKNESS (MM)	KGS/M
		<b>S6040K</b> 40mm height Sliding frame	<b>1.80</b>	<b>0.88</b>
		<b>S60FG</b> Sash interlock		<b>0.17</b>
		<b>GB8</b> Glass bead for 6mm glass		<b>0.15</b>

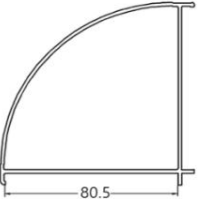
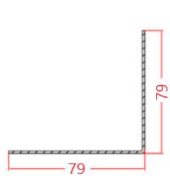
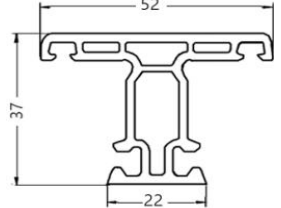
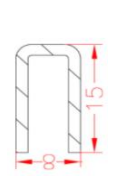
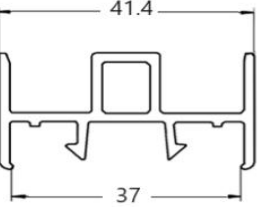
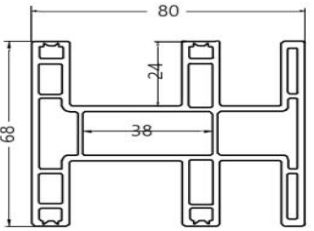
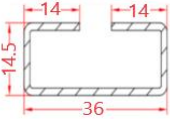
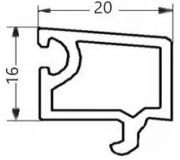
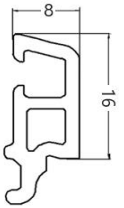
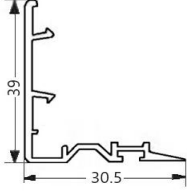
DRAWINGS	STEEL SIZES	CODE	THICKNESS (MM)	KGS/M
		<b>S6054S</b> 54mm height sash	<b>1.8</b>	<b>0.53</b>
		<b>GB9.5</b> Glass bead for 4-5mm glass		<b>0.14</b>
		<b>C60PT</b> 60mm Frame Joiner		<b>0.24</b>

## WINSTAR 60/80MM UPVC SLIDING SERIES

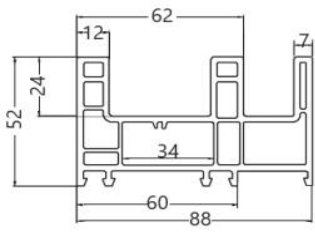
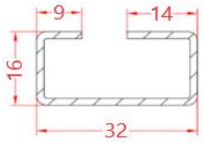
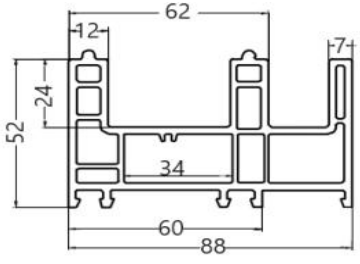
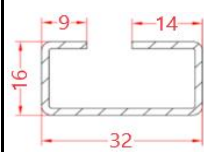
DRAWINGS	STEEL SIZES	CODE	THICKNESS (MM)	KGS/M
		<b>S8050K1</b> 50mm height Sliding frame	<b>2.20</b>	<b>1.22</b>
			<b>1.80</b>	<b>1.13</b>

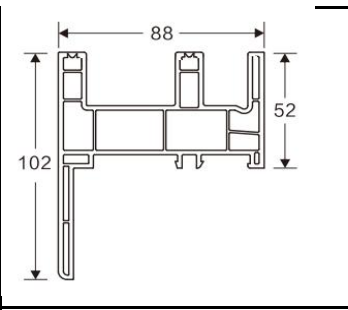
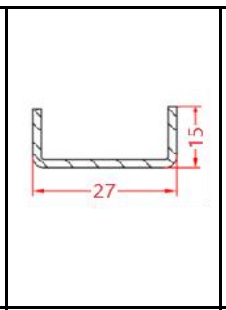
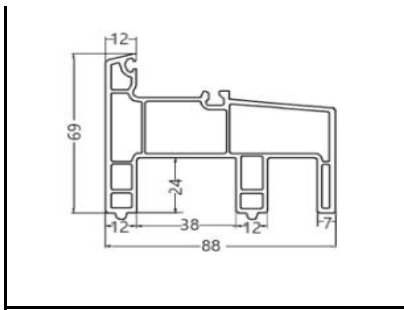
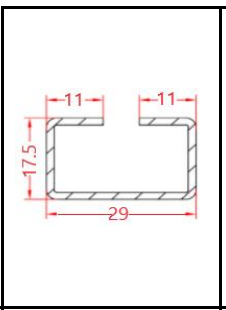
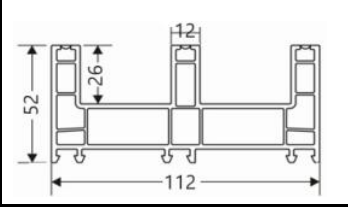
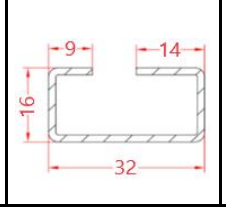
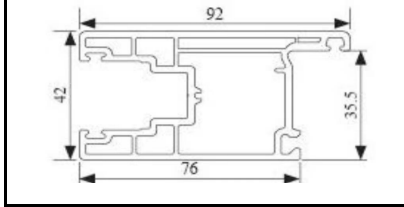
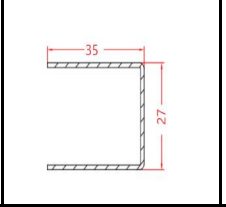
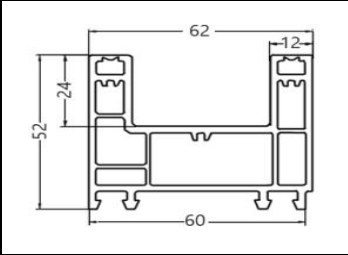
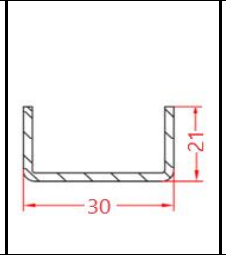
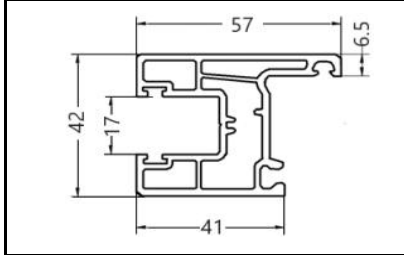
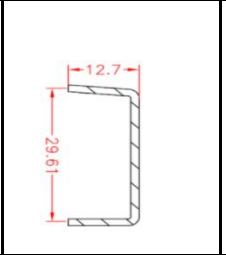
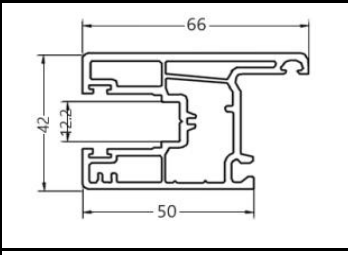
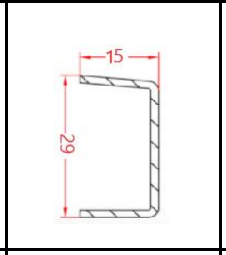
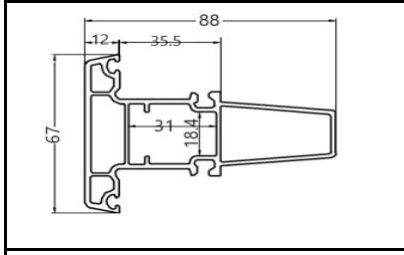
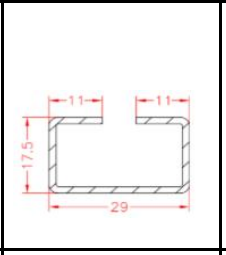
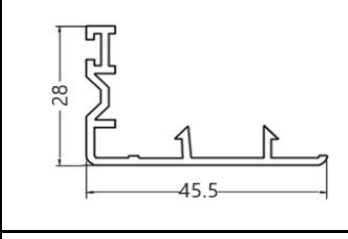
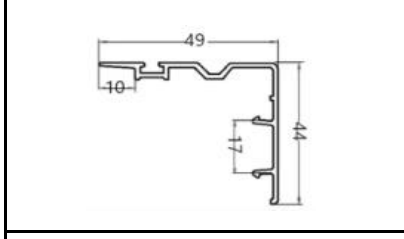
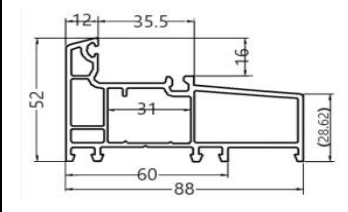
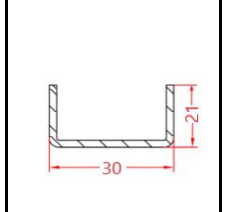
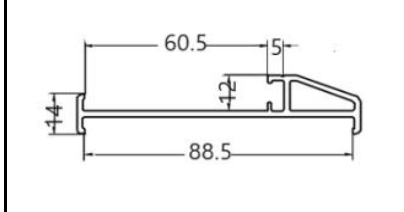
DRAWINGS	STEEL SIZES	CODE	THICKNESS (MM)	KGS/M
		<b>S8050K2</b> 50mm height Sliding frame with track	<b>2.2</b>	<b>1.28</b>

		<b>S6055K</b> 60-55 sliding frame	<b>1.80</b>	<b>0.9</b>		<b>S8066S</b> 66mm height sliding sash	<b>2.2</b>	<b>0.9</b>
		<b>S8060S</b> 80mm height sliding door sash	<b>2.00</b>	<b>0.75</b>		<b>S8080S</b> 80mm height sliding door sash	<b>2.2</b>	<b>1.02</b>
		<b>S8046K</b> 46mm height frame	<b>2.20</b>	<b>1.13</b>		<b>S8055S</b> 55mm height sliding sash	<b>2.20</b>	<b>0.77</b>
			<b>1.80</b>	<b>1.07</b>			<b>1.80</b>	<b>0.70</b>
		<b>S80GDZT</b> Top fixed T mullion	<b>2.20</b>	<b>1.07</b>		<b>S80GDK1</b> Top fixed frame	<b>2.20</b>	<b>0.90</b>
			<b>1.80</b>	<b>1.00</b>			<b>1.80</b>	<b>0.87</b>
		<b>S80GDK2</b> Top fixed frame	<b>2.2</b>	<b>0.9</b>		<b>S80FG</b> Sash interlock no hook		<b>0.20</b>
			<b>1.8</b>	<b>0.87</b>				
		<b>S80PT</b> Frame Joint board				<b>S80PG</b> Frame joint pipe		<b>0.73</b>

		<b>S80ZJ</b> Round corner		1.0			<b>S80SZT</b> Sash T Mullion	1.80	0.6
		<b>S80DJFB</b> (S80SK) Sash connector		0.3			<b>S80WZK</b> Double sliding frame	1.80	1.42
		<b>GB20</b> Glazing bead for 4-6mm glass		0.19			<b>GB8</b> Glazing bead for 18/20mm glass		0.14
		<b>S80FG1</b> Sash Intelock		0.2					

## WINSTAR 60/88/112MM UPVC SLIDING SERIES

DRAWINGS	STEEL SIZES	CODE	THICKNESS (MM)	KGS/M	DRAWINGS	STEEL SIZES	CODE	THICKNESS (MM)	KGS/M
		<b>S8852K1</b> 52mm height Sliding frame	2.50	1.55			<b>S8852K2</b> 52mm height Sliding frame with track	2.50	1.50
			2.20	1.38				2.20	1.40
			2.00	1.3				2.00	1.37

		<b>S8852K3</b> Sliding frame with curtain edge	<b>2.20</b>	<b>1.8</b>			<b>S88LTK2</b> Unify frame with track	<b>2.20</b>	<b>1.50</b>
		<b>S112K</b> Triple Sliding Frame	<b>2.50</b>	<b>1.83</b>			<b>S8892S</b> 92mm height sash	<b>2.20</b>	<b>1.33</b>
		<b>S6052K</b> 60mm sliding frame	<b>2.50</b>	<b>1.3</b>			<b>S8857S</b> 57mm height Sash	<b>2.50</b>	<b>0.93</b>
			<b>2.20</b>	<b>1.19</b>				<b>2.20</b>	<b>0.90</b>
			<b>2.00</b>	<b>1.14</b>				<b>2.00</b>	<b>0.82</b>
		<b>S8866S</b> 66mm height Sash	<b>2.50</b>	<b>1.02</b>			<b>S88ZT</b> Top fixed T mullion	<b>2.50</b>	<b>1.18</b>
			<b>2.20</b>	<b>0.97</b>				<b>2.20</b>	<b>1.10</b>
			<b>2.00</b>	<b>0.87</b>					
		<b>S88FG</b> Sash interlock		<b>0.22</b>			<b>S88FG1</b> Door Sash Interlock		<b>0.26</b>
		<b>S88GDK</b> Top Fixed Frame	<b>2.5</b>	<b>1.12</b>			<b>S8060PT</b> 88-60mm Joint board		<b>0.54</b>
			<b>2.2</b>	<b>1.05</b>					

		<b>S88PG</b> 88mm Joint Pipe		<b>0.8</b>		<b>S88PT</b> 88mm Joint Board		<b>0.33</b>
		<b>S88WZK</b> Double sliding frame	<b>2.2</b>	<b>1.57</b>		<b>S60/S88DJFB</b> Sash connector		<b>0.38</b>
		<b>S88SZT</b> Sash T mullion	<b>1.8</b>	<b>0.7</b>		<b>S88ZJ</b> Round corner		<b>1.1</b>
		<b>S88135ZJ</b> 135 corner		<b>1.05</b>		<b>GB9.5</b> Glass bead for 18-20mm glass		<b>0.15</b>
		<b>S88LTK1</b> Unify frame	<b>2.5</b>	<b>1.58</b>		<b>GB25.5</b> Glass bead for 4-6mm glass		<b>0.21</b>
			<b>2.2</b>	<b>1.43</b>				
		<b>S8866SS</b> Sliding big screen sash	<b>1.8</b>	<b>0.63</b>		<b>F6017</b> Aluminum bottom low frame for S6052K		<b>0.80</b>

# WINSTAR 92MM UPVC SLIDING SERIES

DRAWINGS	STEEL SIZES	CODE	THICKNESS (MM)	KGS/M
		<b>S92K1</b> 92mm sliding frame	2.5	1.5
			2.2	1.4
		<b>S92GDK</b> 92mm fixed frame	2.5	1.2
			2.2	1.07
		<b>S92LTK1</b> 92mm Unify frame	2.5	1.68
			2.2	1.47
		<b>S92MS</b> 92mm sliding door sash	2.5	1.47
		<b>S92SZT</b> 92mm sliding sash mullion	2.2	0.87
		<b>S92FG</b> 92mm sliding interlock		0.23

DRAWINGS	STEEL SIZES	CODE	THICKNESS (MM)	KGS/M
		<b>S92K1</b> 92mm sliding frame with track	2.2	1.47
		<b>S92ZT</b> 92mm T mullion	2.5	1.27
			2.2	1.15
		<b>S92LTK2</b> 92mm Unify frame with track	2.2	1.53
		<b>S92S</b> 92mm sliding window frame	2.5	1.07
			2.2	0.95
		<b>S92DJFB</b> 92mm Sliding sash jointer		0.4
		<b>GB11</b> Double glass glazing bead		0.16

# WINSTAR 95MM UPVC SLIDING SERIES

DRAWINGS	STEEL SIZES	CODE	THICKNESS (MM)	KGS/M
		<b>S95K1</b> 95mm sliding frame	2.8	1.59
			2.5	1.53
		<b>S95GDK</b> 95mm fixed frame	2.8	1.38
			2.5	1.23
		<b>S95ZT</b> 95mm T mullion	2.8	1.42
			2.5	1.3
		<b>S95FG</b> 95mm sliding interlock		0.23
		<b>S95PT</b> 95mm Joint Board		0.4

DRAWINGS	STEEL SIZES	CODE	THICKNESS (MM)	KGS/M
		<b>S95K2</b> 95mm sliding frame with track	2.5	1.6
		<b>S95SZT</b> 95mm sliding sash mullion	2.5	0.9
		<b>S95TLS</b> 95mm sliding window frame	2.8	1.67
			2.5	1.1
		<b>S95PG</b> 95mm Frame joint pipe	2.5	1.1
		<b>S95DJFG</b> 95mm Sliding sash jointer		0.42



		<b>S92ZJ</b> 95mm Square corner	<b>2.5</b>	<b>1.53</b>
		<b>GB22</b> Glass bead for 24mm glass		<b>0.22</b>

		<b>GB11</b> Glass bead for 28-30mm Triple glass		<b>0.15</b>

## WINSTAR 108MM UPVC SLIDING SERIES

DRAWINGS	STEEL SIZES	CODE	THICKNESS (MM)	KGS/M
		<b>S108K</b> 108mm sliding frame	<b>2.5</b>	<b>1.75</b>
			<b>2.2</b>	<b>1.57</b>
		<b>S108ZT</b> 108mm Fixed mullion	<b>2.5</b>	<b>1.5</b>
		<b>S108TLS1</b> 108mm sliding door sash	<b>2.5</b>	<b>1.28</b>
			<b>2.2</b>	<b>1.67</b>

DRAWINGS	STEEL SIZES	CODE	THICKNESS (MM)	KGS/M
		<b>S108GDK</b> 108mm fixed frame	<b>2.5</b>	<b>1.37</b>
			<b>2.2</b>	<b>1.25</b>
		<b>S108LTK</b> 108mm Unity frame	<b>2.2</b>	<b>1.65</b>
		<b>S108TLS2</b> 108mm sliding window sash	<b>2.5</b>	<b>1.1</b>
			<b>2.2</b>	<b>1.02</b>

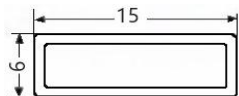
		<b>S108SZT</b> 108mm Sash mullion	<b>2.2</b>	<b>0.95</b>
		<b>S108ZJ</b> 108mm square corner	<b>2.2</b>	<b>1.8</b>
		<b>S108FG</b> 108mm frame joint pipe		<b>1.22</b>

		<b>S108FG1</b> 108mm door sash interlock		<b>0.28</b>
		<b>S109FG2</b> 108mm sliding window sash		<b>0.27</b>
		<b>S108PT</b> 108mm frame joint panel		<b>0.45</b>

### WINSTAR ALL SERIES SHARED UPVC PROFILES

DRAWINGS	STEEL SIZES	CODE	THICKNESS (MM)	KGS/M
		<b>52SS</b> Fly screen sash for 50/80/88 sliding series	<b>1.6</b>	<b>0.43</b>
		<b>SSM38</b> Fly screen sash mullion for 52SS	<b>1.4</b>	<b>0.35</b>
		<b>30*10</b> Decoration bars	<b>1.2</b>	<b>0.24</b>

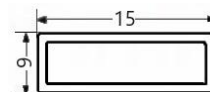
DRAWINGS	STEEL SIZES	CODE	THICKNESS (MM)	KGS/M
	<b>1.8</b>	<b>44SS</b> Fly screen sash for 50/80/88 sliding series		<b>0.42</b>
	<b>1.8</b>	<b>50SS</b> Fly screen sash for 50/80/88 sliding series		<b>0.54</b>
	<b>1.1</b>	<b>20*10</b> Decoration bars		<b>0.18</b>



**15\*6**  
Decoration  
bars

1

0.11



**15\*9**  
Decoration  
bars

1

0.15